

This document is the property of Amphenol Corporation and is delivered on the express condition that it not be disclosed, reproduced or used, in whole or in part, for manufacture or sale by anyone other than Amphenol Corporation without its prior consent, and that no right is granted to disclose or to use any information in this document.

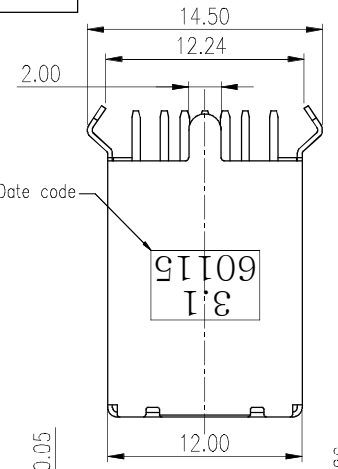
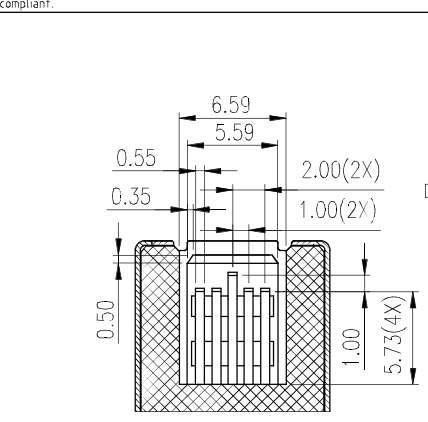
The marking on this product doesn't contain environmental hazardous materials per Material Specification SS-00259 for Sony GP compliant or per directive 2011/65/EU for RoHS compliant.

ORIGINAL

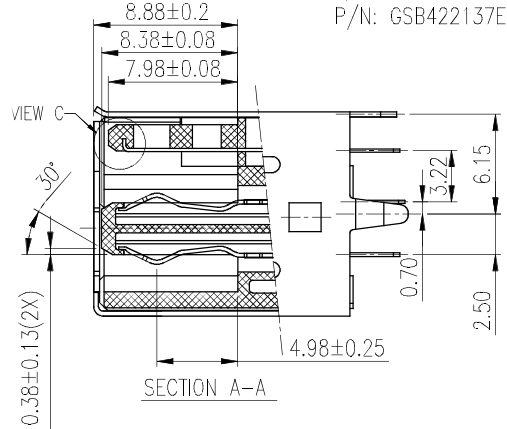
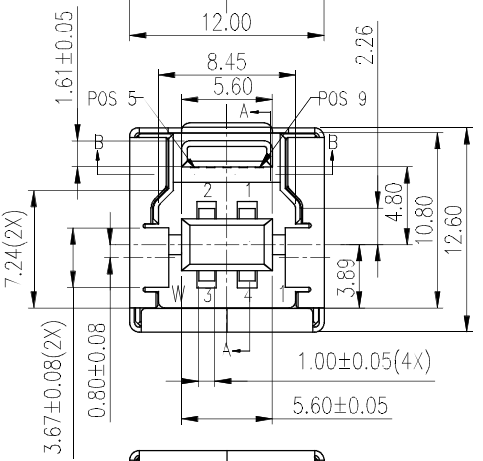
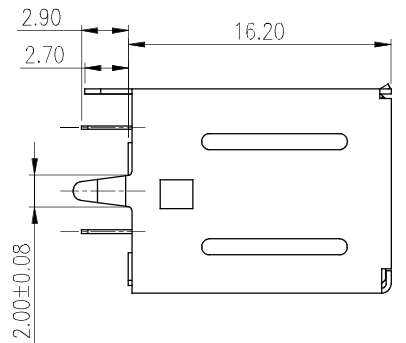
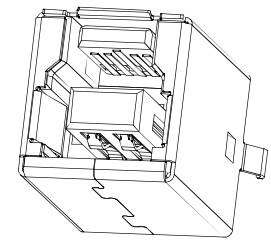
| REVISIONS | | | | |
|-----------|----------|------------------|------------|-----------|
| SYM | ECN No. | DESCRIPTION | DATE | APPROVED |
| A | NE-14181 | RELEASE REVISION | 10/15/2014 | Arron Lin |

NOTES:

- MATERIAL:
HOUSING: PLASTIC, PBT, UL94V-0, COLOR: BLUE(300C).
TERMINAL(5P): BRASS.
TERMINAL(4P): PHOSPHOR BRONZE.
SHELL: BRASS.
- FINISH:
TERMINAL:
CONTACT AREA: SELECTIVE GOLD PLATING ;
SOLDERING AREA: TIN PLATING 100 μ" THICKNESS MIN.;
UNDER PLATING: NICKEL PLATING 50 μ" THICKNESS MIN. OVERALL
SHELL:
NICKEL PLATING 50 μ" THICKNESS MIN. OVERALL
- THIS PRODUCT DOESN'T CONTAIN ENVIRONMENTAL HAZARDOUS PER DIRECTIVE 2011/65/EU FOR RoHS COMPLIANT.
- FOR WAVE SOLDERING PROCESS ONLY. TEMPERATURE NOT OVER 245°C.
- P/N: GSB422117EU/ GSB422127EU PRODUCT SPECIFICATION REFER TO: PS-7539
P/N: GSB422137EU/ GSB4221A7EU PRODUCT SPECIFICATION REFER TO: PS-7530

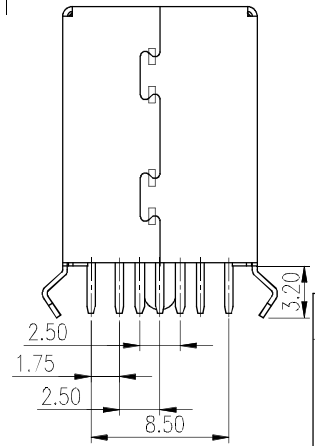
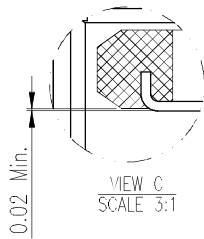
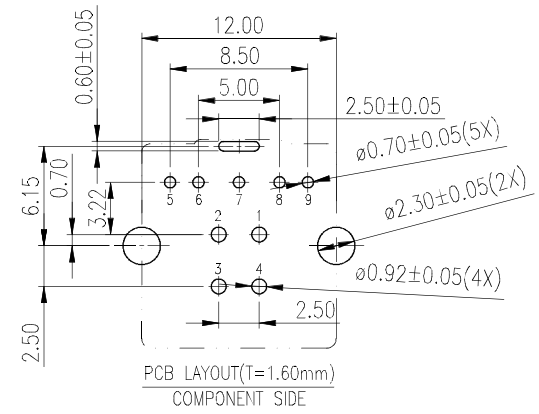


| DATE CODE | DESCRIPTION |
|-----------|-------------|
| 6 0 1 1 5 | Friday |
| 11 | Weeks |
| 3 | Year |
| 1 | Reserve |



P/N : GSB4221 X 7EU

- Contact Finish
- 1: Flash gold
 - 2: 15u"gold
 - 3: 30u"gold
- A: 30u" gold (soldering area G/F plating)



| TOLERANCE | APPROVALS | DATE | TITLE | | PART No. | |
|--|-----------------------|-----------------------|--|-----------------|------------------------|--|
| X. X.X ±0.30 X.XX ±0.20 X.XXX ±0.10 | DRAWN Debby Hung | 10/15/2014 | USB 3.1 B TYPE RECEPTACLE VERTICAL TYPE | | GSB4221X7EU | |
| ANGULAR ±1° | CHECKED Roger Tsai | 10/15/2014 | | | REV. A | |
| UNLESS OTHERWISE SPECIFIED | APPROVED Arron Lin | 10/15/2014 | UNIT mm | SIZE A3 | DVG No. GSB4221X7EU | |
| | DWG TYPE CUST DWG | PROJECT CODE OTHER | SCALE NA | SHEET 1 OF 2 | | |

This document is the property of Amphenol Corporation and is delivered on the express condition that it is not to be disclosed, reproduced or used, in whole or in part, for manufacture or sale by anyone other than Amphenol Corporation without its prior consent, and that no right is granted to disclose or to use any information in this document.

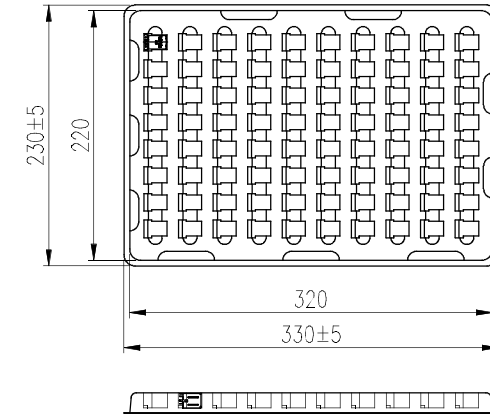
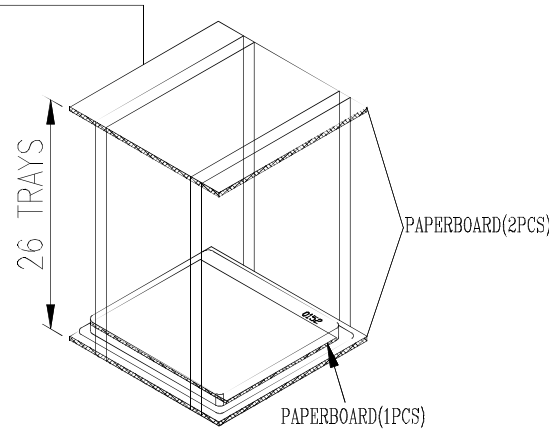
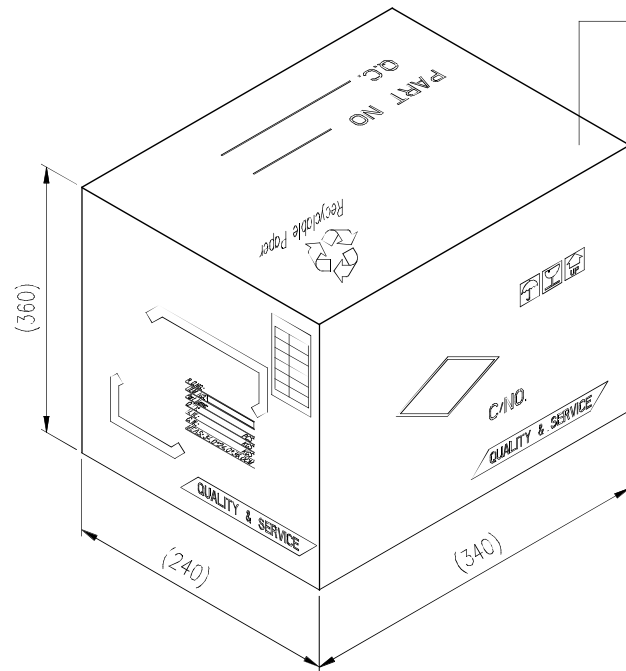
The marking on this product doesn't contain environmental hazardous materials per Material Specification SS-00259 for Sony GP compliant or per directive 2011/65/EU for RoHS compliant.



ORIGINAL



| REVISIONS | | | | |
|-----------|----------|------------------|------------|-----------|
| SYM | ECN No. | DESCRIPTION | DATE | APPROVED |
| A | NE-14181 | RELEASE REVISION | 10/15/2014 | Arron Lin |
| | | | | |
| | | | | |



| | | | | | |
|--------------|---------------|-------------------|-------------|-------------|-------------|
| 80 | 26 | 2000 | 10.0 | 8.03 | GSB4221X7EU |
| PCS/ TRAY | TRAYS/ BOX | QUANTITY (PCS) | G/W (Kg) | N/W (Kg) | PART NUMBER |

| TOLERANCE | APPROVALS | DATE | TITLE | | |
|--|-----------------------|-----------------------|--|-----------------|----------------------------------|
| X. X.X ±0.30 X.XX ±0.20 X.XXX ±0.10 | DRAWN Debby Hung | 10/15/2014 | USB 3.1 B TYPE RECEPTACLE VERTICAL TYPE | | |
| | CHECKED Roger Tsai | 10/15/2014 | | | |
| | APPROVED Arron Lin | 10/15/2014 | | | |
| ANGULAR ±1° | DWG TYPE CUST DWG | PROJECT CODE OTHER | UNIT mm | SIZE A3 | PART No. GSB4221X7EU |
| UNLESS OTHERWISE SPECIFIED | | | SCALE NA | SHEET 2 OF 2 | DWG No. GSB4221X7EU REV. A |

Amphenol®

Amphenol Corporation
Amphenol Taiwan Corporation