

推奨基板寸法
RECOMMENDED P.C.B. PATTERN LAYOUT

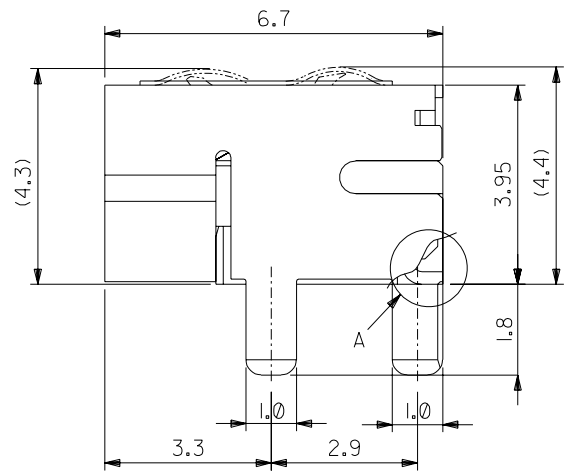
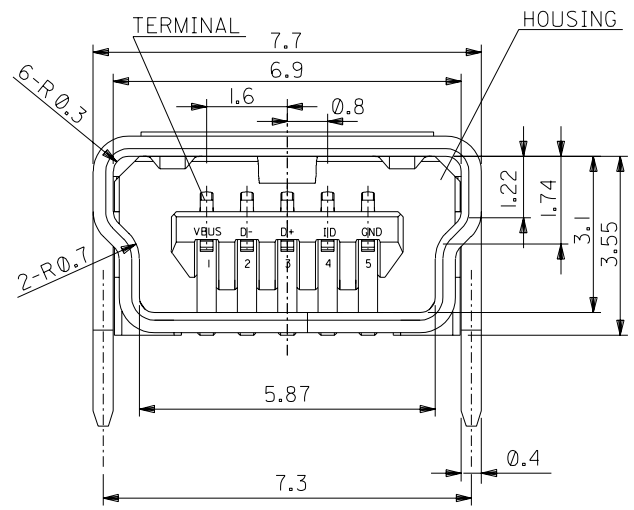
注記 1. 材質
NOTES MATERIAL

ハウジング: 耐熱樹脂 ガラス充填, 黒色, UL 94V-0
HOUSING: HEAT RESISTANT PLASTIC, GLASS FILLED, BLACK, UL94V-0
ターミナル: 銅合金 (t=0.25)
TERMINAL: COPPER ALLOY (t=0.25)
シールド ケース: 銅合金 (t=0.4)
SHIELD CASE: COPPER ALLOY (t=0.4)
カバー テープ: ポリイミド (t=0.08)
COVER TAPE: POLYIMIDE (t=0.08)

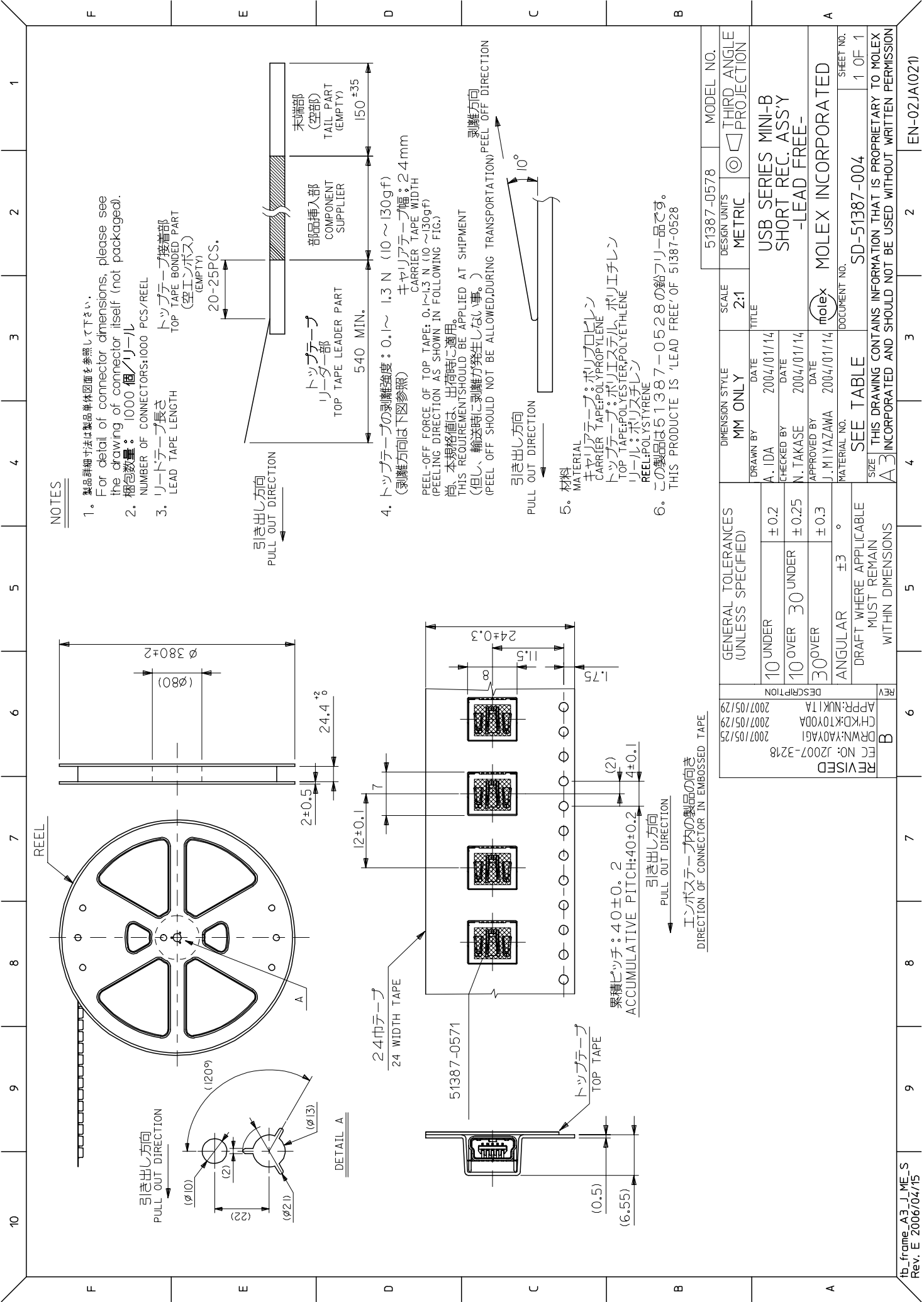
2. メッキ仕様
PLATING

ターミナル
TERMINAL
接点部: 金メッキ
CONTACT AREA: GOLD
半田付け部: 錫メッキ
SOLDER TAIL AREA: TIN
下地部: ニッケルメッキ
UNDER PLATING: NICKEL
シールド ケース
SHIELD CASE
: 錫メッキ
: TIN
下地部: ニッケル
UNDER PLATING: NICKEL

3. テール平坦度は 0.1mm MAX.
TAIL COPLANARITY 0.1mm MAX.
4. この製品は 51387-0521 の鉛フリー品です。
THIS PRODUCT IS 'LEAD FREE' OF 51387-0521



EC NO. DRWN: CHK: APPR:	EC NO. DRWN: CHK: APPR:	EC NO. DRWN: CHK: APPR:	REVISED ECNNO. J2004-2497 DRWN: A.IDA '04/02/18 CHK: H.TAKASE APPR: MIYAZAWA/YO.ITO	RELEASED ECNNO. J2004-1896 DRWN: A.IDA '04/01/14 CHK: H.TAKASE APPR: MIYAZAWA/YO.ITO	MATERIAL 材料 SEE NOTES	GENERAL TOLERANCES: (UNLESS SPECIFIED) 一般公差	SCALE 10 - 1 mm INCH	DESIGN UNITS mm INCH	THIRD ANGLE PROJECTION	DIMENSIONS: mm INCH mm ONLY	SHT REVISE ON CAD ONLY	REV
			A	0	FINISH 仕上げ SEE NOTES	10 UNDER 未満 ±0.2	DRAWN BY & DATE A. Iida '04/01/14		TITLE: USB SERIES MINI-B SHORT TYPE 2 RECEPTACLE ASS'Y -LEAD FREE-			
					WIRE RANGE 適用線径範囲	10 OVER 30 UNDER 以上 未満 ±0.25	CHECKED BY & DATE H. Takase '04/01/14		MATERIAL NO. 51387-0571	DRAWING NO. SD-51387-003		
					INS. RANGE 被覆外径	30 OVER 以上 ±0.3	APPROVED BY & DATE Y. Ito '04/01/14		MATERIAL NO. 51387-0571	DRAWING NO. SD-51387-003	SHEET NO. 1 OF 1	
					ANGLE 角度	±3°	CAD FILENAME SD-51387-003.S01		THIS DRAWING CONTAINS INFORMATION THAT IS PROPRIETARY TO MOLEX INCORPORATED AND SHOULD NOT BE USED WITHOUT WRITTEN PERMISSION.		SIZE B	



NOTES

- 製品詳細寸法は製品単体図面を参照して下さい。
For detail of connector dimensions, please see the drawing of connector itself (not packaged).
- 梱包数量: 1000 個/リール
NUMBER OF CONNECTORS: 1000 PCS/REEL
- リードテープ長さ
LEAD TAPE LENGTH
トップテープ接着部
TOP TAPE BONDED PART
(空エッジ/ボス)
(EMPTY)
20-25PCS.

4. トップテープの剥離強度: 0.1 ~ 1.3 N (10 ~ 130gf)
(剥離方向は下図参照)
キャリアテープ幅: 24mm
CARRIER TAPE WIDTH
PEEL-OFF FORCE OF TOP TAPE: 0.1~1.3 N (10~130gf)
PEELING DIRECTION AS SHOWN IN FOLLOWING FIG.)
尚、本規格値は、出荷時に適用
THIS REQUIREMENT SHOULD BE APPLIED AT SHIPMENT
(但し、輸送時に剥離が発生しない事。)
(PEEL OFF SHOULD NOT BE ALLOWED DURING TRANSPORTATION) PEEL OFF DIRECTION

5. 材料
MATERIAL
キャリアテープ: ポリプロピレン
CARRIER TAPE: POLYPROPYLENE
トップテープ: ポリエチレン
TOP TAPE: POLYETHYLENE
リール: ポリスチレン
REEL: POLYSTYRENE

6. この製品は 51387-0528 の鉛フリー品です。
THIS PRODUCT IS 'LEAD FREE' OF 51387-0528

エンボステープ内の製品の向き
DIRECTION OF CONNECTOR IN EMBOSSED TAPE

GENERAL TOLERANCES (UNLESS SPECIFIED)		DIMENSION STYLE	SCALE	DESIGN UNITS	MODEL NO.
10 UNDER	±0.2	MM ONLY	2:1	METRIC	51387-0578
10 OVER	±0.25	DATE	TITLE	THIRD ANGLE PROJECTION	
30 OVER	±0.3	2004/01/14	USB SERIES MINI-B SHORT REC. ASSY -LEAD FREE-		
ANGULAR	±3	CHECKED BY			
DRAFT WHERE APPLICABLE MUST REMAIN WITHIN DIMENSIONS		2004/01/14			
REVISIONS		DATE			
B	REVISED	2007/05/25			
	FC NO: J2007-3218				
	DRW: YADYAGI				
	CHK: KATOYODA				
	APP: NUKITA				
	2007/05/29				
DESCRIPTION					
REVISIONS					
SEE TABLE					
DOCUMENT NO.					
SD-51387-004					
SHEET NO.					
1 OF 1					
THIS DRAWING CONTAINS INFORMATION THAT IS PROPRIETARY TO MOLEX INCORPORATED AND SHOULD NOT BE USED WITHOUT WRITTEN PERMISSION					